

VC.192 p

ELESA Original design

Lobe knobs



Material

Phenolic based (PF) Duroplast. Resistant to solvents, oils, greases and other chemical agents.

Colour

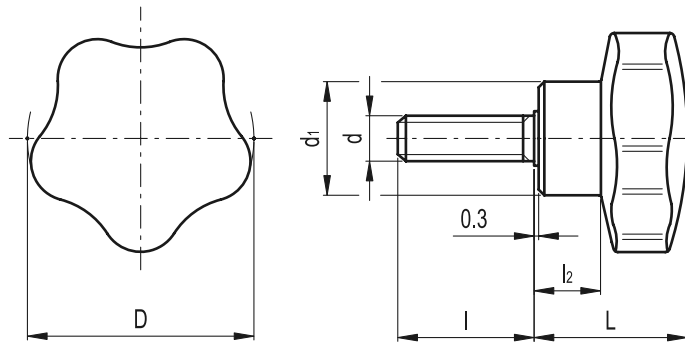
Black, glossy finish.

Assembly

Zinc-plated steel threaded stud, chamfered flat end according to UNI 947 : ISO 4753 (see Technical Data on page A11).

Features

The exclusive five-lobe shape (ELESA original design) offers the operator's finger a proper grip and prevents unhealthy residues from depositing thanks to its solid shape without cavities.



Standard Elements		Main dimensions				Threaded stud		△△
Code	Description	D	L	d1	l2	d 6g	l	g
66121	VC.192/25 p-M5x10	25	21	15	9	M5	10	11
66122	VC.192/25 p-M5x16	25	21	15	9	M5	16	12
66131	VC.192/25 p-M6x10	25	21	15	9	M6	10	10
66132	VC.192/25 p-M6x16	25	21	15	9	M6	16	12
66133	VC.192/25 p-M6x20	25	21	15	9	M6	20	14
66134	VC.192/25 p-M6x30	25	21	15	9	M6	30	18
66231	VC.192/30 p-M6x10	32	23	19	11	M6	10	17
66232	VC.192/30 p-M6x16	32	23	19	11	M6	16	18
66233	VC.192/30 p-M6x20	32	23	19	11	M6	20	20
66234	VC.192/30 p-M6x35	32	23	19	11	M6	35	25
66241	VC.192/30 p-M8x20	32	23	19	11	M8	20	24
66242	VC.192/30 p-M8x30	32	23	19	11	M8	30	27
66243	VC.192/30 p-M8x40	32	23	19	11	M8	40	29
66351	VC.192/40 p-M6x10	40	27	21	12	M6	10	28
66352	VC.192/40 p-M6x20	40	27	21	12	M6	20	30
66353	VC.192/40 p-M6x30	40	27	21	12	M6	30	32
66361	VC.192/40 p-M8x16	40	27	21	12	M8	16	35
66362	VC.192/40 p-M8x25	40	27	21	12	M8	25	38
66363	VC.192/40 p-M8x35	40	27	21	12	M8	35	40
66364	VC.192/40 p-M8x45	40	27	21	12	M8	45	43

Standard Elements		Main dimensions				Threaded stud		△△
Code	Description	D	L	d1	l2	d 6g	l	g
66481	VC.192/50 p-M8x16	50	33	25	14	M8	16	52
66482	VC.192/50 p-M8x20	50	33	25	14	M8	20	53
66483	VC.192/50 p-M8x25	50	33	25	14	M8	25	55
66484	VC.192/50 p-M8x30	50	33	25	14	M8	30	56
66485	VC.192/50 p-M8x40	50	33	25	14	M8	40	60
66491	VC.192/50 p-M10x20	50	33	25	14	M10	20	63
66492	VC.192/50 p-M10x30	50	33	25	14	M10	30	66
66493	VC.192/50 p-M10x40	50	33	25	14	M10	40	70
66494	VC.192/50 p-M10x50	50	33	25	14	M10	50	73
66561	VC.192/60 p-M10x20	60	37	27	17	M10	20	87
66562	VC.192/60 p-M10x30	60	37	27	17	M10	30	92
66563	VC.192/60 p-M10x40	60	37	27	17	M10	40	98
66564	VC.192/60 p-M10x50	60	37	27	17	M10	50	101
66571	VC.192/60 p-M12x25	60	37	27	17	M12	25	105
66572	VC.192/60 p-M12x30	60	37	27	17	M12	30	110
66573	VC.192/60 p-M12x40	60	37	27	17	M12	40	118
66574	VC.192/60 p-M12x50	60	37	27	17	M12	50	128
66651	VC.192/70 p-M12x30	70	44	30	20	M12	30	140
66652	VC.192/70 p-M12x50	70	44	30	20	M12	50	160
66653	VC.192/70 p-M12x60	70	44	30	20	M12	60	165
66654	VC.192/70 p-M12x70	70	44	30	20	M12	70	175
66661	VC.192/70 p-M14x50	70	44	30	20	M14	50	180
66662	VC.192/70 p-M14x70	70	44	30	20	M14	70	200
66731	VC.192/85 p-M16x50	85	55	35	30	M16	50	290