

Flexible bridge handle



- Material**
 Polypropylene based (PP) technopolymer elastomer-added (TPE). Resistant to solvents, oils, greases and other chemical agents.
- Colour**
 Grey-black, matte finish.
- Caps**
 Polyamide based (PA) technopolymer in Ergostyle colours, matte finish. Supplied not assembled, press-fit assembly, removable by a screwdriver. Available also as accessory sold separately (see caps table).

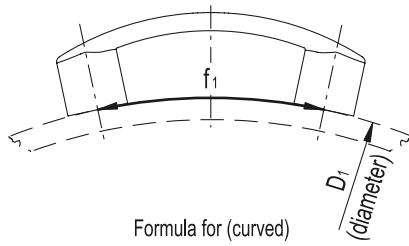
Code	Description	Caps for
29831-*	ECA.B1-*	EBP.140-FLX / EBP.180-FLX

* Complete the code and the description by adding the index of the colour (C1, ..., C6).

- Assembly**
 Brass bosses with through holes for cylindrical-head screws with hexagon socket.

Features and applications

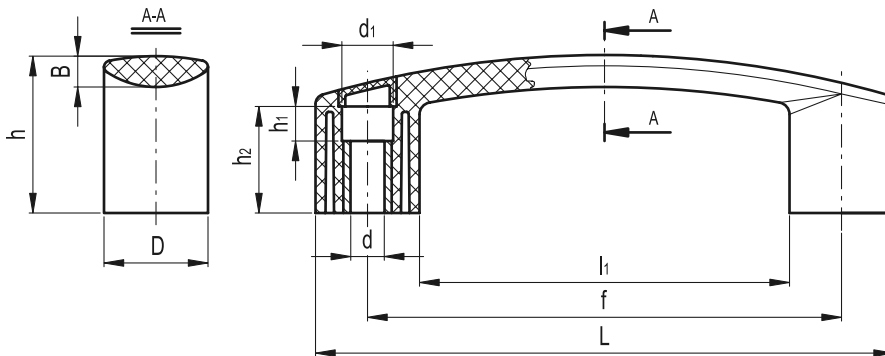
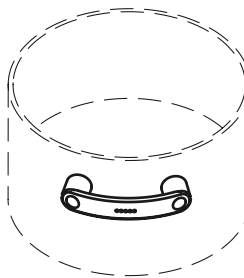
This handle is suitable for assembly on curved surfaces thanks to its special material which makes it flexible. It is suitable for applications on curved surfaces with diameters between 300 and 800 mm. For diameters exceeding 800 mm, EBP. (see page 307) series handle can be used.



Formula for (curved) centers distance f_1

EBP.140	$f_1 = 0.044 \times D_1 + 81.5$
EBP.180	$f_1 = 0.056 \times D_1 + 102.8$

Application example



C1 RAL 7021 C2 RAL 2004 C3 RAL 7035 C4 RAL 1021 C5 RAL 5024 C6 RAL 3000



Standard Elements		Main dimensions						Mounting holes				
Code	Description	L	f	D	h	B	l ₁	d	d ₁	h ₁	h ₂	g
260261-*	EBP.140-8-FLX-*	144	117	26	39	8.5	92	8.5	13.5	8.5	26.5	56
260361-*	EBP.180-8-FLX-*	178	150	28	45	9.5	122	8.5	13.5	14	32	67

* Complete the code and the description of the standard item needed by adding the index of the colour of the caps (C1, ..., C6) ex: 260261-C2 EBP.140-8-FLX-C2