

M.443-ESD

ELESA Original design



Handle



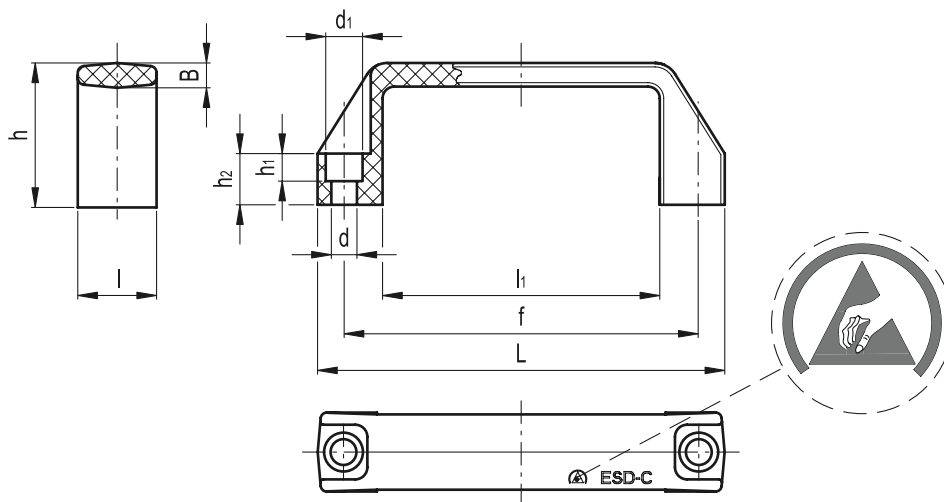
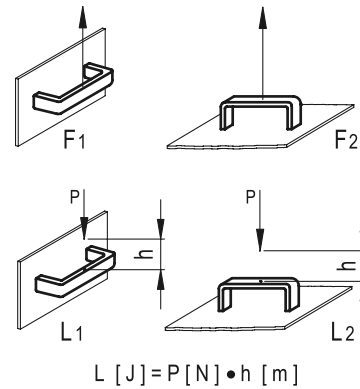
- **Material**
Polyamide based (PA) special antistatic technopolymer. Resistant to solvents, oils, greases and other chemical agents.
- **Colour**
Black, matte finish.
- **Assembly**
Through holes for cylindrical head screws with hexagon socket.

Features and applications

The special conductive technopolymer (ESD-C Electrostatic Discharge Conductive) prevents the transfer of electrostatic discharge between bodies with different electric potential. M.443-ESD handles are suitable for ESD PROTECTED AREA (EPA) where components which are susceptible to electrostatic discharges are to be handled with the minimum risk of damage. The indelibly printed mark (ESD-C) on the surface of the handle identifies the particular antistatic feature according to EN 100015/1 and IEC 61340-5-1.

Technical data

Tensile stress and impact strength: F1, F2, L1 and L2 values reported in the table are the result of breaking tests carried out with the appropriate dynamometric equipment under the test conditions shown in the figure with ambient temperature.



Standard Elements		Main dimensions						Mounting holes				F1	F2	L1	L2	$\Delta \Delta$
Code	Description	L	f	h	B	l	l ₁	d	d ₁	h ₁	h ₂	[N]	[N]	[J]	[J]	g
154601	M.443/110-CH-ESD-C	109	93.5±0.5	38	6	21	74	6.5	10.5	7	13	3500	2500	15	8	21
154611	M.443/140-8-CH-ESD-C	137	117±1	41	7	26	93	8.5	13.5	8.5	15	4500	2500	20	13	34