

GN 338

Discs with cover cap

- **Disc**
Zinc-plated steel.
- **Cover cap**
 - Execution **KS**: acetal resin based (POM) technopolymer, RAL 9001 white colour. Resistant to solvents, oils, greases and other chemical agents.
 - Execution **KR**: thermoplastic elastomer (TPE).

Special executions on request (For sufficient quantities)

Coloured cover caps.

Features and applications

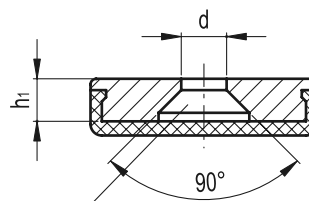
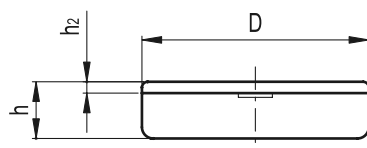
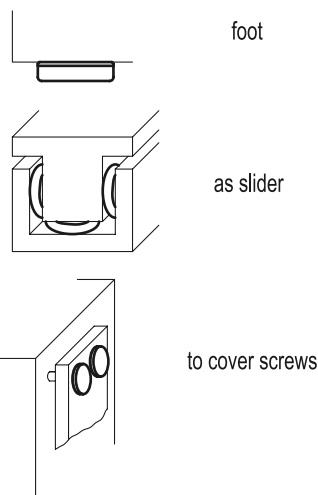
Discs with cover caps GN 338 are suitable for use as feet on machinery. The execution KS is ideally suited as a protective top or side cover for difficult to glide mechanical devices such as highly sensitive equipment.

Furthermore this particular type can also be used as a shroud to cover fixing screws to satisfy the visual appearance.

Discs with cover caps GN 338 are supplied in packs of 10 pieces per size.



Application examples



DIN 7991 / ISO 2009

Standard Elements	Main dimensions						⚖
	D	d	h	h ₁	h ₂	g	
GN 338-16-KS	16	3.2	5	3.7	1	5	
GN 338-20-KS	20	4.3	5	3.7	1	7	
GN 338-25-KS	25	4.3	5.7	4	1	14	
GN 338-32-KS	32	5.3	6.7	5	1	28	
GN 338-16-KR	16	3.2	5	3.7	1	4	
GN 338-20-KR	20	4.3	5	3.7	1	7	
GN 338-25-KR	25	4.3	5.7	4	1	12	
GN 338-32-KR	32	5.3	6.7	5	1	24	



Elesa+GANTER

ELESA and GANTER models all rights reserved in accordance with the law. Always mention the source when reproducing our drawings.