

# GN 346

## Thrust pads with ball joint and threaded hole

- **Material**

Zinc-plated steel, class 5.8 (tensile strength 500 N/mm<sup>2</sup>).

- **Features and applications**

GN 346 thrust pads are normally used to transmit clamping forces. Thanks to the ball joint, they can be adapted on irregular or non-parallel surfaces and prevent the rotating movement of the screw from being exerted directly on the piece to be locked.

- **Technical data**

The values of max limit static load shown in the table were obtained through a series of laboratory tests with vertical static load.



# GN 347

## Hexagon nuts with ball socket

- **Base**

Black-oxide steel.

- **Nut**

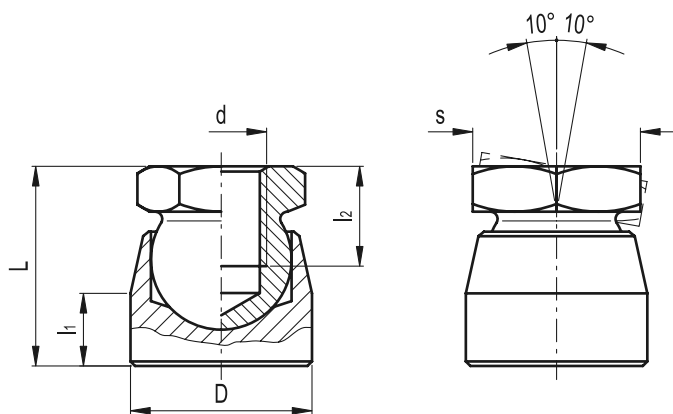
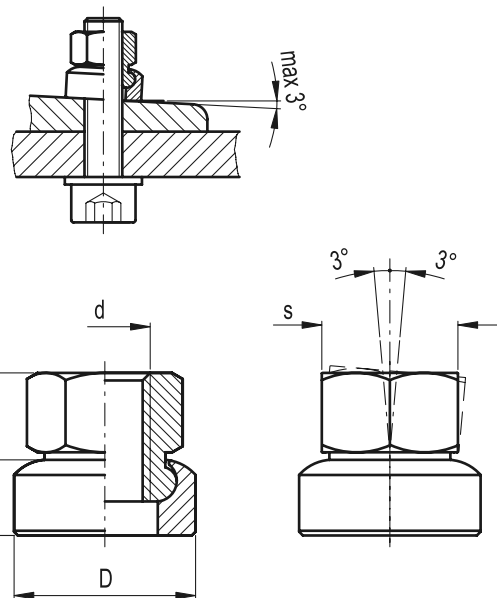
Black-oxide steel.

- **Features and applications**

GN 347 hexagon nuts with ball socket can be used to clamp slanting surfaces up to 3° without transmitting the nut rotation to the clamped surface.



Application example



| Standard Elements | Main dimensions |    |                |    | Max limit static load [N] | Mounting hole |                | ⚖   |
|-------------------|-----------------|----|----------------|----|---------------------------|---------------|----------------|-----|
| Description       | D               | L  | l <sub>1</sub> | s  |                           | d             | l <sub>2</sub> |     |
| GN 346-16-M8      | 16              | 19 | 7              | 12 | 5000                      | M8            | 9              | 20  |
| GN 346-20-M10     | 20              | 22 | 8              | 15 | 7500                      | M10           | 11             | 35  |
| GN 346-24-M12     | 24              | 25 | 10             | 17 | 10000                     | M12           | 12             | 55  |
| GN 346-30-M16     | 30              | 34 | 13             | 24 | 15000                     | M16           | 16             | 115 |

| Standard Elements | Main dimensions |      |                |    | Mounting hole | ⚖   |
|-------------------|-----------------|------|----------------|----|---------------|-----|
| Description       | D               | L    | l <sub>1</sub> | s  |               |     |
| GN 347-17-M8      | 17              | 14   | 7.5            | 13 | M8            | 12  |
| GN 347-21-M10     | 21              | 17.5 | 8              | 16 | M10           | 24  |
| GN 347-24-M12     | 24              | 21.5 | 11             | 18 | M12           | 37  |
| GN 347-30-M16     | 30              | 28   | 12.5           | 24 | M16           | 75  |
| GN 347-36-M20     | 36              | 35   | 16             | 30 | M20           | 140 |
| GN 347-44-M24     | 44              | 42.5 | 20.5           | 36 | M24           | 261 |