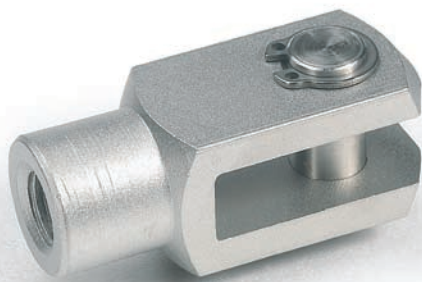


GN 751

DIN 71752

INOX
Stainless Steel

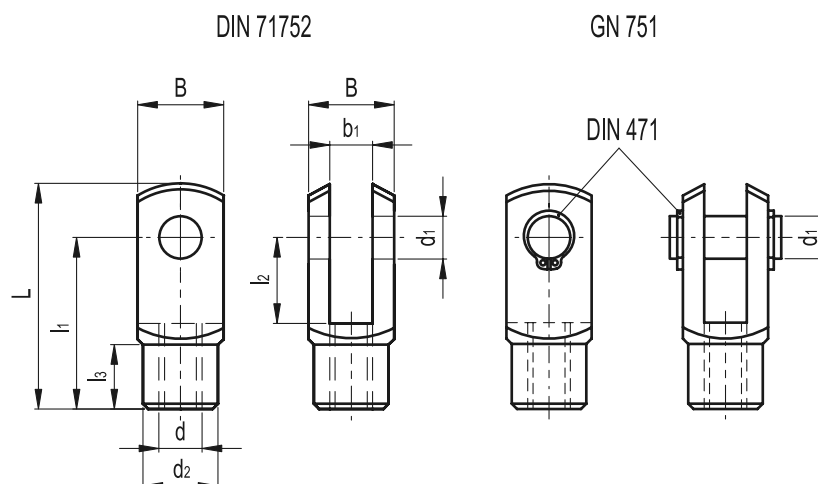


Fork joints Fork heads

- **Material**
AISI 303 stainless steel.

Applications

GN 751 fork joints consist of a fork head DIN 71752 assembled with fork pin with safety circlip (type A). AISI 303 stainless steel, thanks to its high resistance to corrosion, allows the application of these fork joints on machines and equipment in those sectors where laws or particular hygienic, climatic and environmental factors make it mandatory to use corrosion resistant materials.



Standard Elements Off pin	Standard Elements Complete	Main dimensions									⚖
Description	Description	d1 H8/h9	d	d2	L	l1	l2	l3	B	b1	g
DIN 71752-4-8-M4-NI	GN 751-4-8-M4-A-NI	4	M4	8	21	16	8	6	8	4	5
DIN 71752-4-16-M4-NI	GN 751-4-16-M4-A-NI	4	M4	8	29	24	16	6	8	4	6
DIN 71752-5-10-M5-NI	GN 751-5-10-M5-A-NI	5	M5	9	26	20	10	7.5	10	5	9
DIN 71752-5-20-M5-NI	GN 751-5-20-M5-A-NI	5	M5	9	36	30	20	7.5	10	5	19
DIN 71752-6-12-M6-NI	GN 751-6-12-M6-A-NI	6	M6	10	31	24	12	9	12	6	20
DIN 71752-6-24-M6-NI	GN 751-6-24-M6-A-NI	6	M6	10	43	36	24	9	12	6	30
DIN 71752-8-16-M8-NI	GN 751-8-16-M8-A-NI	8	M8	14	42	32	16	12	16	8	45
DIN 71752-8-32-M8-NI	GN 751-8-32-M8-A-NI	8	M8	14	58	48	32	12	16	8	60
DIN 71752-10-20-M10-NI	GN 751-10-20-M10-A-NI	10	M10	18	52	40	20	15	20	10	90
DIN 71752-10-40-M10-NI	GN 751-10-40-M10-A-NI	10	M10	18	72	60	40	15	20	10	120
DIN 71752-12-24-M12-NI	GN 751-12-24-M12-A-NI	12	M12	20	62	48	24	18	24	12	144
DIN 71752-12-48-M12-NI	GN 751-12-48-M12-A-NI	12	M12	20	86	72	48	18	24	12	190
DIN 71752-14-28-M14-NI	GN 751-14-28-M14-A-NI	14	M14	24	72	56	28	22.5	27	14	220
DIN 71752-14-56-M14-NI	GN 751-14-56-M14-A-NI	14	M14	24	101	85	56	22.5	27	14	280
DIN 71752-16-32-M16-NI	GN 751-16-32-M16-A-NI	16	M16	26	83	64	32	24	32	16	335
DIN 71752-16-64-M16-NI	GN 751-16-64-M16-A-NI	16	M16	26	115	96	64	24	32	16	460
DIN 71752-20-40-M20-NI	GN 751-20-40-M20-A-NI	20	M20	34	105	80	40	30	40	20	800