

SMN. / SMW.

Breather caps and double-valve breather caps

- **Cover**
Chrome-plated steel.
- **Flange and threaded connector**
Zinc-plated steel.
- **Safety double-valve (SMW.)**
Technopolymer with NBR synthetic rubber O-ring with stainless steel spring.
Set at around 0.350 bar (0.700 bar on request).
Fitted to the flange by means of 4 zinc-plated steel rivets.
- **Air filtration**
Tech-foam 40 µ.
- **Maximum continuous working temperature**
115°C.

Special executions on request

With dipstick for fluid level indication.

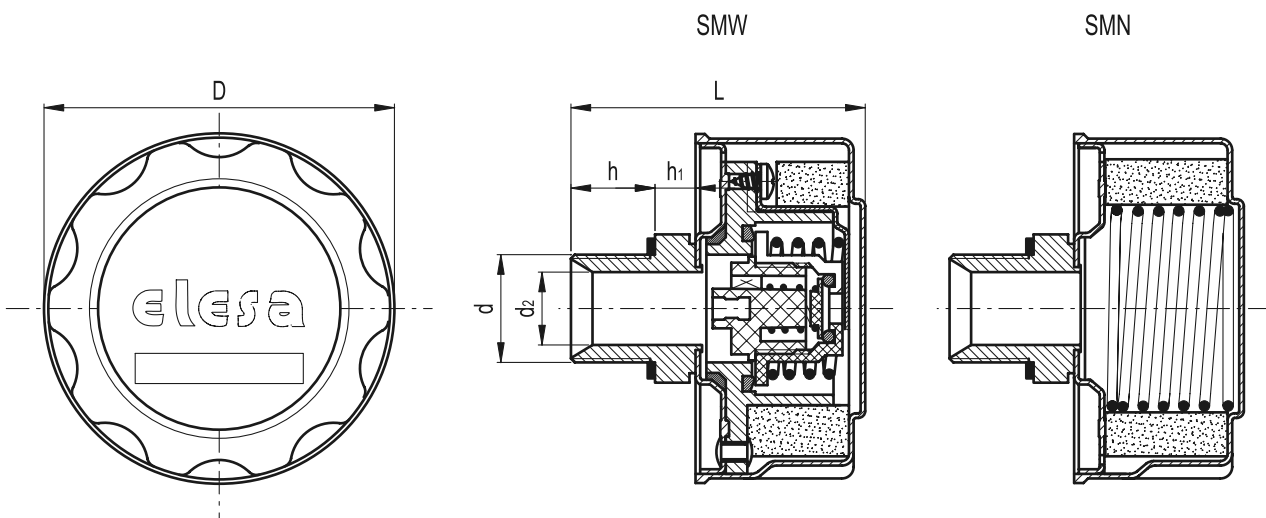
Characteristics and applications

SMN. and SMW. breather caps are particularly suitable for application on tanks containing oil fluids.

Double-valve pressurised breather cap creates a pressure plenum chamber right above the oil level within the limit conditions in order to avoid any reservoir deformation.

Advantages:

- it reduces reservoir air volume intake keeping clean oil and filter
- it improves suction pump action during working conditions reducing cavitation phenomenon
- it prevents fluid leakage when the system is part of a mobile unit
- it reduces foam in fluid.



Standard Elements		Main dimensions						△/△
Code	Description	d	h	D	L	d ₂	h ₁	g
156833	SMN.46-1/4-F40	G 1/4	10	47	51	7	5	57
956833	SMN.46-1/4 NPT-F40	1/4 NPT	10	47	51	7	5	57
156883	SMN.80-3/4-F40	G 3/4	16	81	70	17	12	230
956883	SMN.80-3/4 NPT-F40	3/4 NPT	16	81	70	17	12	230

Standard Elements		Main dimensions						△/△
Code	Description	d	h	D	L	d ₂	h ₁	g
156983	SMW.80-3/4-F40-350mb	G 3/4	16	81	70	17	12	308
956983	SMW.80-3/4 NPT-F40-350mb	3/4 NPT	16	81	70	17	12	308



elesa-ganter

ELESA and GANTER models all rights reserved in accordance with the law. Always mention the source when reproducing our drawings.

SMW. pressurised breather cap functioning in a hydraulic circuit

