

Support bases



- **Material**

Glass-fibre reinforced polyamide based (PA) technopolymer. Resistant to solvents, oils, greases and other chemical agents.

- **Colour**

Black, matte finish.

- **Assembly of levelling elements**

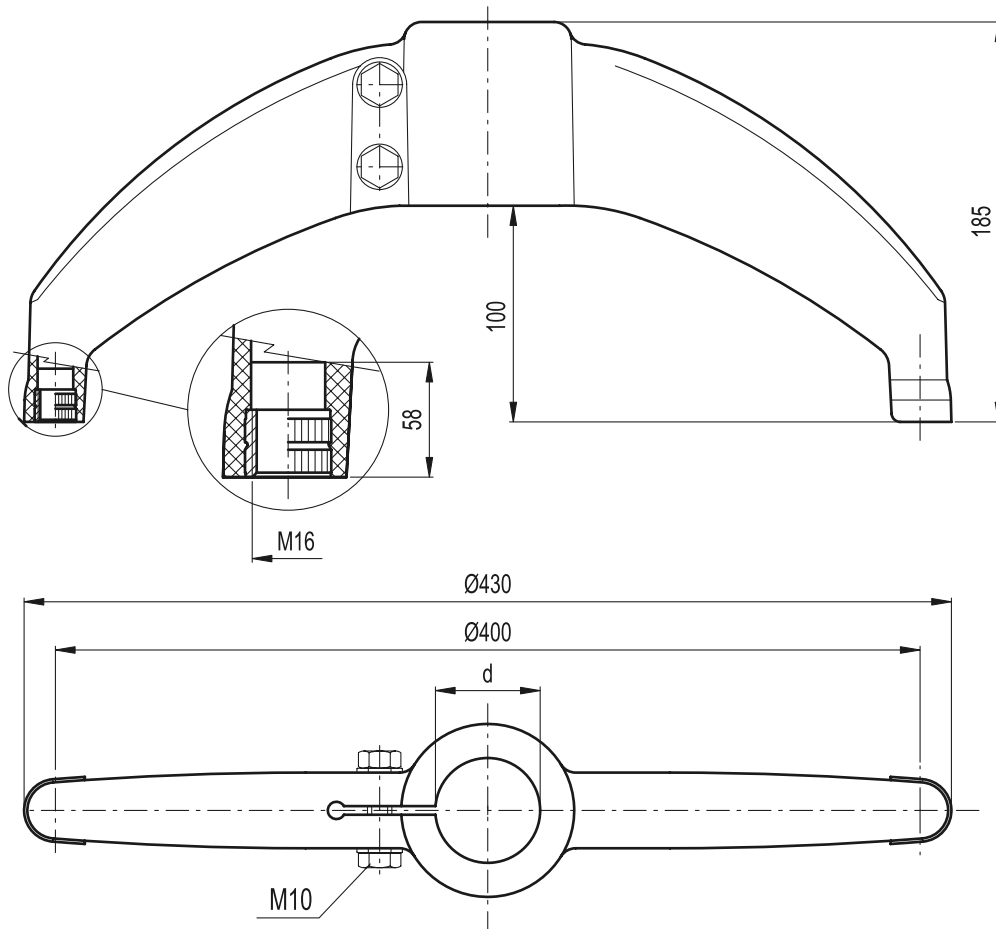
Brass bosses, tapped through holes for the assembly of levelling elements series LS.A (see page 716), LV.A (see page 730), LV.F (see page 736) (available as accessories sold separately).

- **Clamping system**

- Execution **A**: nuts, M10 screws and washers in zinc-plated steel.
- Execution **SST**: nuts, M10 screws and washers in AISI 304 stainless steel.

Features and applications

The absence of cavities and the slightly round shapes offer a modern and elegant aesthetics and guarantees the best cleaning.



Standard Elements				Tube assembly hole		⚖
Execution A		Execution SST		d		
Code	Description	Code	Description	mm	inch (BSP/GAS)	g
419636	BAS2-42-A	419637	BAS2-42-SST	42.4	1 1/4"	680
419634	BAS2-48-A	419635	BAS2-48-SST	48.3	1 1/2"	670
419632	BAS2-60-A	419633	BAS2-60-SST	60.3	2"	650