

GW12

ELESA Original design

Digital-analogue gravity position indicators



EXTENDED RANGE



- Case**
 Glass-fibre reinforced polyamide based (PA) technopolymer. Moulded-in spindle. Resistant to solvents, oils, greases and other chemical agents.
- Bezel**
 Technopolymer. Moulded over the window.
- Colour**
 Black, matte finish.
- Window**
 Transparent polyamide based (PA-T) technopolymer (practically unbreakable). Ultrasonically welded to the case. Resistant to solvents, oils, greases and other chemical agents (avoid contact with alcohol during cleaning operations).
- Dial**
 Natural matte anodised aluminium.
 Clockwise or anti-clockwise graduation, black colour.
- Reading**
 Five-digits roller counter (four black rolls and one red roll) and one red pointer which turns on the graduated dial. The digit of the red roll shows the decimal values, while the pointer shows the hundredth.
 The display indicates the displacement of the mechanism controlled by the spindle from the start position (0). One complete turn of the machine spindle corresponds to a turn of the handwheel/knob and consequently to a turn of the red pointer. A turn of the red pointer corresponds to a determinate reading on the counter (see "Reading on the counter after one revolution of the red pointer", in the table).
 Ballrace rotation: maximum reading accuracy.

Available readings															
0000,2	0000,5	0000,8	0001,0	0001,2	0001,2(5)	0001,4	0002,0	0002,5	0002,5(3)	0002,7(7)	0002,8(571)	0003,0	0003,5	0004,0	0005,0
Standard readings										Special readings on request (min. 10 pcs.)					

- IP protection**
 The ultrasonic welding of the window to the case guarantees the complete sealing with IP 67 protection class, according to IEC 529 table (see catalogue 038, page 503).

Features and applications

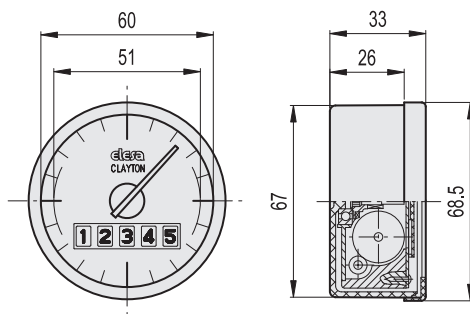
Digital-analogue gravity position indicators are suitable with handwheels or knobs on spindles with horizontal or max 60° inclined axis (see Gravity position indicators introduction on catalogue 038, page 464). To choose the handwheel see the table "Handwheels/knobs-possible assembly with indicators"(see catalogue 038, page 464).

Special executions on request

- No pointer.
- Plain dial.
- Special dial with logo or customized graduations.
- Special readings after one revolution.

Instructions

These indicators are supplied with a screw on the rear case to prevent the mechanism from rotating during transportation, avoiding any displacement of reading. Before assembling the indicator into the handwheel, remove the screw from the back and fit the self-adhesive element supplied to guarantee IP 67 sealing.



Standard Elements				Dial graduation (No. divisions)	Reading accuracy of the red pointer on the graduated dial	Reading on the counter after one revolution of the red pointer	g
Clockwise		Anti-clockwise					
Code	Description	Code	Description				
CE.72241	GW12-0000.2-D	CE.72242	GW12-0000.2-S	20	0.01	0000.2	120
CE.72401	GW12-0000.5-D	CE.72402	GW12-0000.5-S	50	0.01	0000.5	120
CE.72501	GW12-0001.0-D	CE.72502	GW12-0001.0-S	100	0.01	0001.0	120
CE.72581	GW12-0002.0-D	CE.72582	GW12-0002.0-S	40	0.05	0002.0	120
CE.72621	GW12-0002.5-D	CE.72622	GW12-0002.5-S	50	0.05	0002.5	120
CE.72651	GW12-0003.0-D	CE.72652	GW12-0003.0-S	60	0.05	0003.0	120
CE.72701	GW12-0004.0-D	CE.72702	GW12-0004.0-S	80	0.05	0004.0	120
CE.72741	GW12-0005.0-D	CE.72742	GW12-0005.0-S	100	0.05	0005.0	120