

GN 924.7

Spoked handwheels with safety fold-away handle

RoHS

Material

Aluminium pressure die casting, hub machined, rim turned.

Colour

- Version **SW**: plastic coated, black RAL 9005, textured finish.

- Version **SR**: plastic coated, silver RAL 9006, textured finish.

Assembly

- Version **B**: hub with H7 tolerance plain hole.

- Version **K**: hub with H7 reamed hole with keyway in compliance with DIN 6885/1 P9 tolerance (see catalogue 038, page A17).

For fixing GN 924.7 on shafts by a grub screw see Technical Data (see catalogue 038, page A18).

Plastic cover

Polyamide based (PA) technopolymer, light-grey colour, push-fit assembly.

Safety fold-away handle

Type GN 798.7 in polyamide based (PA) technopolymer, black colour, matte finish. Resistant to solvents, oils, greases and other chemical agents.

The two-volume special design of the handle provides the operator's hand with a safe and ergonomic grip when turning the handwheel.



Accessories on request

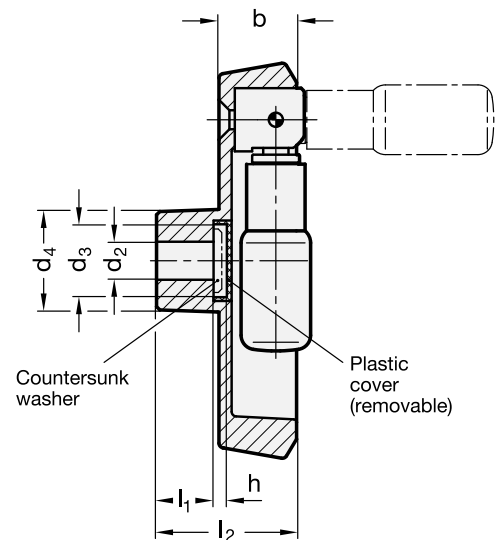
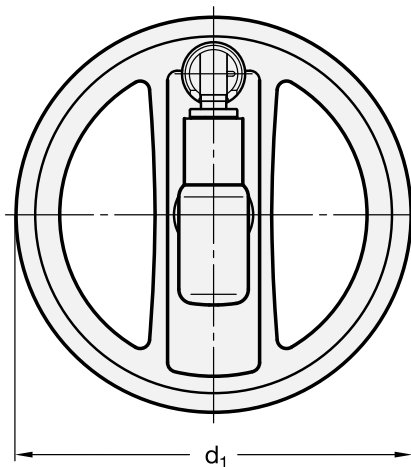
Axial retaining washer GN 184 (see catalogue 038, page 631).

Features and applications

Spoked handwheels with safety fold-away handle GN 924.7 are distinguished by modern design. These handwheels are suitable for applications where the handle must not remain in the operating position. In order to bring the handle into this position it has to be turned first through 90° to a stop against a torsion spring and then it is pushed against spring pressure into its hold position. By maintaining the forward thrust on the handle the handwheel can easily be rotated. When releasing the handle the springs returns it back to the retracted position.

Technical data

Axial and radial runout lower than 0.4.



Standard Elements	Main dimensions						Bore		Handle	Recommended washer	g
	d1	d3	d4	b	h	l2≈	d2 H7	l1	Ø		
GN 924.7-125-B12-R-*	125	23	31	24.5	4	45	12	18	22	GN 184-22	465
GN 924.7-125-K12-R-*	125	23	31	24.5	4	45	12	18	22	GN 184-22	460
GN 924.7-125-B14-R-*	125	23	31	24.5	4	45	14	18	22	GN 184-22	450
GN 924.7-125-K14-R-*	125	23	31	24.5	4	45	14	18	22	GN 184-22	440
GN 924.7-140-B14-R-*	140	23	36	26	4	47	14	19	24	GN 184-22	600
GN 924.7-140-K14-R-*	140	23	36	26	4	47	14	19	24	GN 184-22	590
GN 924.7-140-B16-R-*	140	23	36	26	4	47	16	19	24	GN 184-22	600
GN 924.7-140-K16-R-*	140	23	36	26	4	47	16	19	24	GN 184-22	590
GN 924.7-160-B14-R-*	160	23	36	26	4	48	14	20	24	GN 184-22	700
GN 924.7-160-K14-R-*	160	23	36	26	4	48	14	20	24	GN 184-22	690
GN 924.7-160-B16-R-*	160	23	36	26	4	48	16	20	24	GN 184-22	700
GN 924.7-160-K16-R-*	160	23	36	26	4	48	16	20	24	GN 184-22	690
GN 924.7-200-B18-R-*	200	23	42	27	4	53	18	24	25	GN 184-22	900
GN 924.7-200-K18-R-*	200	23	42	27	4	53	18	24	25	GN 184-22	890
GN 924.7-200-B20-R-*	200	23	42	27	4	53	20	24	25	GN 184-22	1650
GN 924.7-200-K20-R-*	200	23	42	27	4	53	20	24	25	GN 184-22	1640

* Complete the description of the standard item needed by adding the colour of the handwheel: SW (black) or SR (silver).