

## Lock knobs



### Material

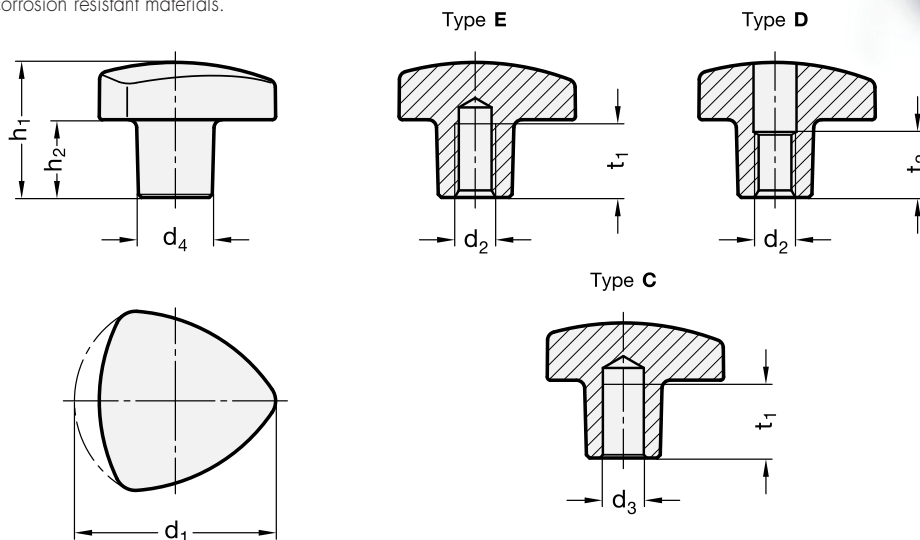
- AISI 303 stainless steel.
- Version **MT**: sandblasted matte finish.
- Version **PL**: polished.

### Assembly

- Type **E**: hub, tapped blind hole, highly polished.
- Type **D**: hub, tapped through hole, highly polished.
- Type **C**: hub, H7 reamed blind hole.

### Features and applications

Triangular knobs GN 5339.5, thanks to its high resistance to corrosion, allows the application of these lock knobs on machines and equipment in those sectors where laws or particular hygienic, climatic and environmental factors make it mandatory to use corrosion resistant materials.



Standard Elements	Main dimensions				Mounting hole				△△
Description	d1	d4	h1 ≈	h2 ≈	d2	d3 H7	t1 min.	t2	g
GN 5339.5-32-M5-E-MT	32	12	21	12	M5	-	10	-	60
GN 5339.5-32-M5-E-PL	32	12	21	12	M5	-	10	-	60
GN 5339.5-32-M6-E-MT	32	12	21	12	M6	-	12	-	58
GN 5339.5-32-M6-E-PL	32	12	21	12	M6	-	12	-	58
GN 5339.5-32-M6-D-MT	32	12	21	12	M6	-	-	10	50
GN 5339.5-32-M6-D-PL	32	12	21	12	M6	-	-	10	50
GN 5339.5-32-B6-C-MT	32	12	21	12	-	6	12	-	58
GN 5339.5-40-M6-E-MT	40	14	26	13	M6	-	12	-	94
GN 5339.5-40-M6-E-PL	40	14	26	13	M6	-	12	-	94
GN 5339.5-40-M8-E-MT	40	14	26	14	M8	-	15	-	92
GN 5339.5-40-M8-E-PL	40	14	26	14	M8	-	15	-	92
GN 5339.5-40-M8-D-MT	40	14	26	14	M8	-	-	13	90
GN 5339.5-40-M8-D-PL	40	14	26	14	M8	-	-	13	90
GN 5339.5-40-B8-C-MT	40	14	26	14	-	8	15	-	92
GN 5339.5-50-M8-E-MT	50	18	32	18	M8	-	15	-	155
GN 5339.5-50-M8-E-PL	50	18	32	18	M8	-	15	-	155
GN 5339.5-50-M10-E-MT	50	18	33	19	M10	-	18	-	150
GN 5339.5-50-M10-E-PL	50	18	33	19	M10	-	18	-	150
GN 5339.5-50-M10-D-MT	50	18	33	19	M10	-	-	16	145
GN 5339.5-50-M10-D-PL	50	18	33	19	M10	-	-	16	145
GN 5339.5-50-B10-C-MT	50	18	33	19	-	10	18	-	150
GN 5339.5-60-M10-E-MT	60	20	41	23	M10	-	18	-	295
GN 5339.5-60-M10-E-PL	60	20	41	23	M10	-	18	-	295
GN 5339.5-60-M12-E-MT	60	20	41	23	M12	-	22	-	295
GN 5339.5-60-M12-E-PL	60	20	41	23	M12	-	18	-	295
GN 5339.5-60-M12-D-MT	60	20	41	23	M12	-	-	20	280
GN 5339.5-60-M12-D-PL	60	20	41	23	M12	-	-	20	280
GN 5339.5-60-B12-C-MT	60	20	41	23	-	12	22	-	280