

GN 163

Base plate connector clamps

•Material

Aluminium.

•Finish

- Version **SW**: RAL 9005 black colour, matte finish, epoxy resin coating.
- Version **BL**: blank, matte shot-blasted.

•Clamping screws

- Identification no. **1**: with clamping screw DIN 912 and nut DIN 985, zinc-plated.
- Identification no. **2**: with AISI 304 stainless steel-clamping screw DIN 912 and nut DIN 985.

•Assembly

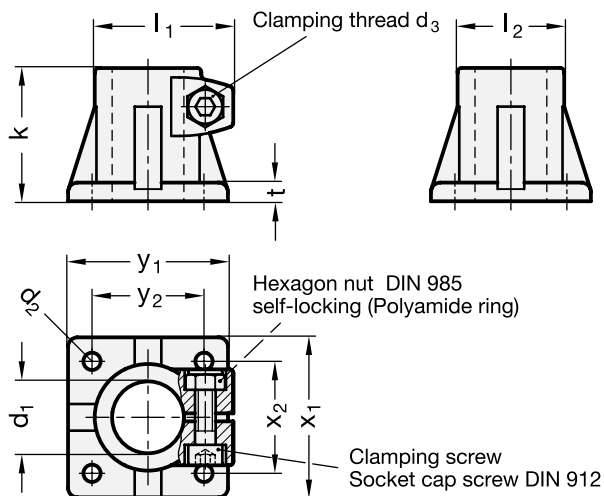
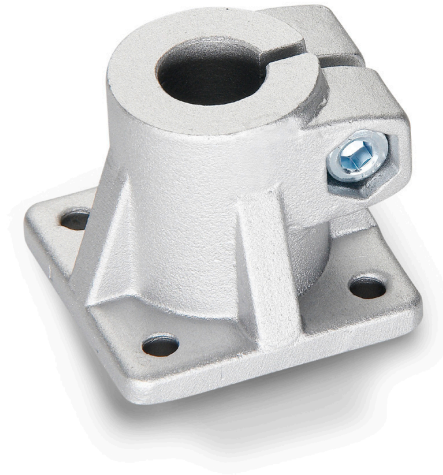
The standard clamping bolts are socket cap screws DIN 912, supplied assembled. They can be replaced by clamping kits GN 911 (description see table of dimensions).

Features and applications

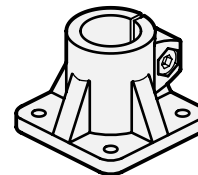
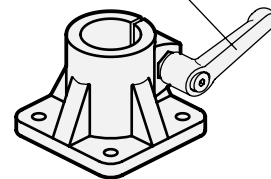
The clamping bores of the base plate connector clamps GN 163 are mechanically machined and designed for construction tubings GN 990 or DIN 2391, DIN 2395 and DIN 2462 respectively.

Accessories

- Construction tubings GN 990 (see page 109ff.).
- Clamping kits GN 911 (clamping handles GN 300.1 with distance bushing) see page 116.



Adjustable clamping lever GN 911



Standard Elements	Main dimensions											Clamping kits for d ₃	\triangle
Description	d ₁	k Clamping length	d ₂	d ₃	l ₁	l ₂	t	x ₁	x ₂	y ₁	y ₂	g	
GN 163-B20-50-1-*	B20	50	6.5	M8	52	40	7	60	42	60	42	GN 911-M8-32	199
GN 163-B25-50-1-*	B25	50	6.5	M8	52	40	7	60	42	60	42	GN 911-M8-32	176
GN 163-B30-50-1-*	B30	50	6.5	M8	52	40	7	60	42	60	42	GN 911-M8-32	149
GN 163-B30-70-1-*	B30	70	8.5	M10	68	56	10	90	64	90	64	GN 911-M10-40	530
GN 163-B32-70-1-*	B32	70	8.5	M10	68	56	10	90	64	90	64	GN 911-M10-40	507
GN 163-B35-70-1-*	B35	70	8.5	M10	68	56	10	90	64	90	64	GN 911-M10-40	484
GN 163-B40-70-1-*	B40	70	8.5	M10	68	56	10	90	64	90	64	GN 911-M10-40	437
GN 163-B40-85-1-*	B40	85	11	M10	77.5	65	14	105	74	105	74	GN 911-M10-55	850
GN 163-B42-85-1-*	B42	85	11	M10	77.5	65	14	105	74	105	74	GN 911-M10-55	829
GN 163-B45-85-1-*	B45	85	11	M10	77.5	65	14	105	74	105	74	GN 911-M10-55	777
GN 163-B48-85-1-*	B48	85	11	M10	77.5	65	14	105	74	105	74	GN 911-M10-55	740
GN 163-B50-85-1-*	B50	85	11	M10	77.5	65	14	105	74	105	74	GN 911-M10-55	711
GN 163-B55-100-1-*	B55	100	11	M10	92	80	14	125	89	125	89	GN 911-M10-55	1020
GN 163-B60-100-1-*	B60	100	11	M10	92	80	14	125	89	125	89	GN 911-M10-55	710
GN 163-B20-50-2-*	B20	50	6.5	M8	52	40	7	60	42	60	42	GN 911-M8-32	199
GN 163-B25-50-2-*	B25	50	6.5	M8	52	40	7	60	42	60	42	GN 911-M8-32	176
GN 163-B30-50-2-*	B30	50	6.5	M8	52	40	7	60	42	60	42	GN 911-M8-32	149
GN 163-B30-70-2-*	B30	70	8.5	M10	68	56	10	90	64	90	64	GN 911-M10-40	530
GN 163-B32-70-2-*	B32	70	8.5	M10	68	56	10	90	64	90	64	GN 911-M10-40	505
GN 163-B35-70-2-*	B35	70	8.5	M10	68	56	10	90	64	90	64	GN 911-M10-40	484
GN 163-B40-70-2-*	B40	70	8.5	M10	68	56	10	90	64	90	64	GN 911-M10-40	437
GN 163-B40-85-2-*	B40	85	11	M10	77.5	65	14	105	74	105	74	GN 911-M10-55	850
GN 163-B42-85-2-*	B42	85	11	M10	77.5	65	14	105	74	105	74	GN 911-M10-55	829
GN 163-B45-85-2-*	B45	85	11	M10	77.5	65	14	105	74	105	74	GN 911-M10-55	775
GN 163-B48-85-2-*	B48	85	11	M10	77.5	65	14	105	74	105	74	GN 911-M10-55	740
GN 163-B50-85-2-*	B50	85	11	M10	77.5	65	14	105	74	105	74	GN 911-M10-55	710
GN 163-B55-100-2-*	B55	100	11	M10	92	80	14	125	89	125	89	GN 911-M10-55	1020
GN 163-B60-100-2-*	B60	100	11	M10	92	80	14	125	89	125	89	GN 911-M10-55	710

* Complete the description of the standard item needed by adding the finish of the connector clamps: BL (blank) or SW (black).