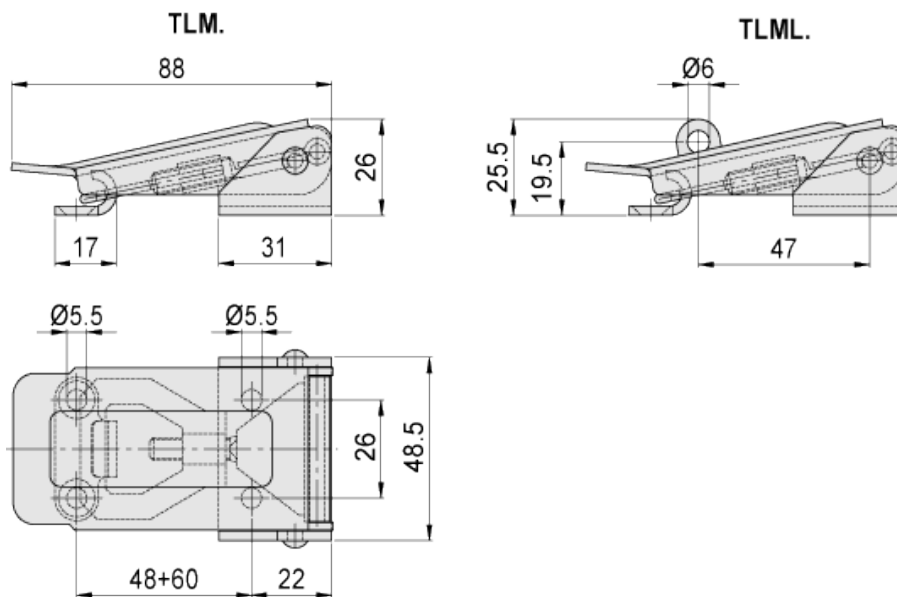


TLM.

Adjustable hook clamps



Elesa Standards		Maximum working load	Load at breakage	Weight
Code	Description	[N]	[N]	g
420151	TLM.Z-26/48-60+R	1500	3000	175
420152	TLM.SST-26/48-60+R	1500	3000	175
420153	TLML.Z-26/48-60+R	1500	3000	175

Standard executions

- TLM: basic hook clamp.
- TLML: hook clamp with padlock hole.

Indexes for materials and treatments to add to the above-mentioned standard executions:

- Z: zinc-plated steel.
- SST: AISI 304 stainless steel.

Radial strength tests



