

# LV.A-ESD-C

ELESA original design



## Levelling elements with antistatic base



### • Base

Special conductive glass-fibre reinforced polyamide based (PA) technopolymer. Resistant to solvents oils, greases and other chemical agents.

Surface resistivity =  $10^3 \Omega$  (ASTM D257 measuring method).

Volume resistivity =  $10^3 \Omega\text{cm}$  (ASTM D257 measuring method).

### • Colour

Black, matte finish.

### • Articulated stem

Threaded zinc-plated steel with regulation hexagon.

### • Standard executions

- **LV.A-ESD-C**: without no-slip disk.

- **LV.A-AS-ESD-C**: with NBR rubber no-slip disk, hardness 70 Shore A, supplied assembled to the base.

Surface resistivity =  $10^3 \Omega$  (ASTM D991 measuring method).

Volume resistivity =  $10^3 \Omega\text{cm}$  (ASTM D991 measuring method).

### Features and applications

The special conductive technopolymer (ESD-C Electrostatic Discharge Conductive) prevents the accumulation of electrostatic charge.

The particular assembling system of the no-slip disk to the base assures a perfect anchoring, preventing separation even in case of impact during transport or of adhesion (sticking) to the floor (see No-slip disk).

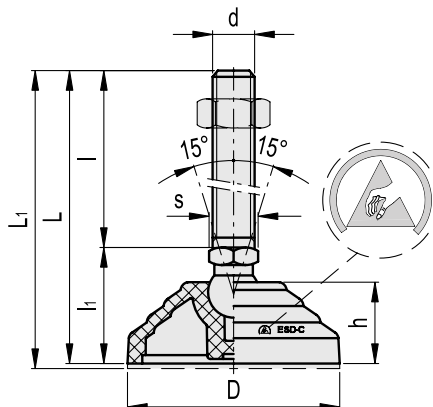
The bases are suitable for "ESD PROTECTED AREA" (EPA) where components, which are susceptible to electrostatic discharges, are handled. The (ESD-C) indelibly printed mark on the surface of the levelling elements bases identifies the particular conductive features of the material according to EN 100015/1 and IEC 61340-5-1. The special knurling under the lower lip of the base provides excellent stability and grip when using the levelling element without no-slip disk even on surfaces that are not perfectly flat.

### Order information


The levelling elements are supplied unassembled to make carriage and storage easier. The components (base and stem) are supplied in separate packing: less volume taken and better protection from scratches and dirt. To order bases and stems separately, see codes of the Bases and of the Stems.

### Accessories on request

Zinc-plated steel nut (see Nuts NT).




**LVA-ESD-C**


Code	Description	D	d	L	l	l <sub>1</sub>	h	s	Articulation ∅	Max. limit stati load* [N]	
303121-ESD	LVA-60-14-M8x43-ESD-C	60	M8	76	43	33	24	14	14	14000	62
303125-ESD	LVA-60-14-M8x68-ESD-C	60	M8	101	68	33	24	14	14	14000	74
303221-ESD	LVA-60-14-M10x43-ESD-C	60	M10	76	43	33	24	14	14	14000	71
303225-ESD	LVA-60-14-M10x68-ESD-C	60	M10	101	68	33	24	14	14	14000	83
303231-ESD	LVA-60-14-M10x98-ESD-C	60	M10	131	98	33	24	14	14	14000	97
303321-ESD	LVA-60-14-M12x43-ESD-C	60	M12	76	43	33	24	14	14	14000	81
303325-ESD	LVA-60-14-M12x68-ESD-C	60	M12	101	68	33	24	14	14	14000	98
303331-ESD	LVA-60-14-M12x98-ESD-C	60	M12	131	98	33	24	14	14	14000	119
303521-ESD	LVA-60-14-M16x68-ESD-C	60	M16	101	68	33	24	16	14	14000	142
303525-ESD	LVA-60-14-M16x108-ESD-C	60	M16	141	108	33	24	16	14	14000	194
303541-ESD	LVA-60-14-M16x148-ESD-C	60	M16	181	148	33	24	16	14	14000	246
303561-ESD	LVA-60-14-M16x168-ESD-C	60	M16	201	168	33	24	16	14	14000	272
303621-ESD	LVA-60-24-M16x58-ESD-C	60	M16	101	58	43	24	24	24	18000	205
303625-ESD	LVA-60-24-M16x98-ESD-C	60	M16	141	98	43	24	24	24	18000	256
303641-ESD	LVA-60-24-M16x138-ESD-C	60	M16	181	138	43	24	24	24	18000	306
303661-ESD	LVA-60-24-M16x158-ESD-C	60	M16	201	158	43	24	24	24	18000	333
303725-ESD	LVA-60-24-M20x98-ESD-C	60	M20	141	98	43	24	24	24	18000	326
303741-ESD	LVA-60-24-M20x138-ESD-C	60	M20	181	138	43	24	24	24	18000	405
303761-ESD	LVA-60-24-M20x158-ESD-C	60	M20	201	158	43	24	24	24	18000	444
303781-ESD	LVA-60-24-M20x198-ESD-C	60	M20	241	198	43	24	24	24	18000	527
303825-ESD	LVA-60-24-M24x98-ESD-C	60	M24	141	98	43	24	24	24	18000	424
303861-ESD	LVA-60-24-M24x158-ESD-C	60	M24	201	158	43	24	24	24	18000	596
303881-ESD	LVA-60-24-M24x198-ESD-C	60	M24	241	198	43	24	24	24	18000	714
304005-ESD	LVA-70-14-M8x43-ESD-C	70	M8	71	43	28	19	14	14	14000	60
304011-ESD	LVA-70-14-M8x68-ESD-C	70	M8	96	68	28	19	14	14	14000	72
304021-ESD	LVA-70-14-M10x43-ESD-C	70	M10	71	43	28	19	14	14	14000	69
304025-ESD	LVA-70-14-M10x68-ESD-C	70	M10	96	68	28	19	14	14	14000	81
304031-ESD	LVA-70-14-M10x98-ESD-C	70	M10	126	98	28	19	14	14	14000	95
304061-ESD	LVA-70-14-M12x43-ESD-C	70	M12	71	43	28	19	14	14	14000	79
304065-ESD	LVA-70-14-M12x68-ESD-C	70	M12	96	68	28	19	14	14	14000	96
304071-ESD	LVA-70-14-M12x98-ESD-C	70	M12	126	98	28	19	14	14	14000	117
304101-ESD	LVA-70-14-M16x68-ESD-C	70	M16	96	68	28	19	16	14	14000	140
304105-ESD	LVA-70-14-M16x108-ESD-C	70	M16	136	108	28	19	16	14	14000	192
304111-ESD	LVA-70-14-M16x148-ESD-C	70	M16	176	148	28	19	16	14	14000	244
304115-ESD	LVA-70-14-M16x168-ESD-C	70	M16	196	168	28	19	16	14	14000	270
304121-ESD	LVA-80-14-M8x43-ESD-C	80	M8	76	43	33	24	14	14	16000	83
304125-ESD	LVA-80-14-M8x68-ESD-C	80	M8	101	68	33	24	14	14	16000	95
304221-ESD	LVA-80-14-M10x43-ESD-C	80	M10	76	43	33	24	14	14	16000	92
304225-ESD	LVA-80-14-M10x68-ESD-C	80	M10	101	68	33	24	14	14	16000	104
304231-ESD	LVA-80-14-M10x98-ESD-C	80	M10	131	98	33	24	14	14	16000	118
304321-ESD	LVA-80-14-M12x43-ESD-C	80	M12	76	43	33	24	14	14	16000	102
304325-ESD	LVA-80-14-M12x68-ESD-C	80	M12	101	68	33	24	14	14	16000	119
304331-ESD	LVA-80-14-M12x98-ESD-C	80	M12	131	98	33	24	14	14	16000	140
304521-ESD	LVA-80-14-M16x68-ESD-C	80	M16	101	68	33	24	16	14	16000	163
304525-ESD	LVA-80-14-M16x108-ESD-C	80	M16	141	108	33	24	16	14	16000	215
304541-ESD	LVA-80-14-M16x148-ESD-C	80	M16	181	148	33	24	16	14	16000	267
304561-ESD	LVA-80-14-M16x168-ESD-C	80	M16	201	168	33	24	16	14	16000	293
304621-ESD	LVA-80-24-M16x58-ESD-C	80	M16	101	58	43	24	24	24	18000	225
304625-ESD	LVA-80-24-M16x98-ESD-C	80	M16	141	98	43	24	24	24	18000	276
304641-ESD	LVA-80-24-M16x138-ESD-C	80	M16	181	138	43	24	24	24	18000	326
304661-ESD	LVA-80-24-M16x158-ESD-C	80	M16	201	158	43	24	24	24	18000	353
304725-ESD	LVA-80-24-M20x98-ESD-C	80	M20	141	98	43	24	24	24	18000	346
304741-ESD	LVA-80-24-M20x138-ESD-C	80	M20	181	138	43	24	24	24	18000	425
304761-ESD	LVA-80-24-M20x158-ESD-C	80	M20	201	158	43	24	24	24	18000	464
304781-ESD	LVA-80-24-M20x198-ESD-C	80	M20	241	198	43	24	24	24	18000	547
304825-ESD	LVA-80-24-M24x98-ESD-C	80	M24	141	98	43	24	24	24	18000	444
304861-ESD	LVA-80-24-M24x158-ESD-C	80	M24	201	158	43	24	24	24	18000	616
304881-ESD	LVA-80-24-M24x198-ESD-C	80	M24	241	198	43	24	24	24	18000	734
305451-ESD	LVA-100-14-M8x43-ESD-C	100	M8	76	43	33	24	14	14	18000	91

\* The max static load is the value above which the load applied to the element may cause some plastic material breakage, in particular conditions of use. Obviously, a factor that takes into consideration the importance and the safety level of the specific application must be applied to this value.

## LVA-ESD-C


Code	Description	D	d	L	l	l <sub>1</sub>	h	s	Articulation Ø	Max. limit stati load* [N]	
305453-ESD	LVA-100-14-M8x68-ESD-C	100	M8	101	68	33	24	14	14	18000	103
305461-ESD	LVA-100-14-M10x43-ESD-C	100	M10	76	43	33	24	14	14	18000	100
305463-ESD	LVA-100-14-M10x68-ESD-C	100	M10	101	68	33	24	14	14	18000	112
305465-ESD	LVA-100-14-M10x98-ESD-C	100	M10	131	98	33	24	14	14	18000	126
305471-ESD	LVA-100-14-M12x43-ESD-C	100	M12	76	43	33	24	14	14	18000	110
305473-ESD	LVA-100-14-M12x68-ESD-C	100	M12	101	68	33	24	14	14	18000	127
305475-ESD	LVA-100-14-M12x98-ESD-C	100	M12	131	98	33	24	14	14	18000	148
305481-ESD	LVA-100-14-M16x68-ESD-C	100	M16	101	68	33	24	16	14	18000	171
305483-ESD	LVA-100-14-M16x108-ESD-C	100	M16	141	108	33	24	16	14	18000	223
305485-ESD	LVA-100-14-M16x148-ESD-C	100	M16	181	148	33	24	16	14	18000	275
305487-ESD	LVA-100-14-M16x168-ESD-C	100	M16	201	168	33	24	16	14	18000	301
305521-ESD	LVA-100-24-M16x58-ESD-C	100	M16	101	58	43	24	24	24	25000	251
305525-ESD	LVA-100-24-M16x98-ESD-C	100	M16	141	98	43	24	24	24	25000	302
305541-ESD	LVA-100-24-M16x138-ESD-C	100	M16	181	138	43	24	24	24	25000	352
305561-ESD	LVA-100-24-M16x158-ESD-C	100	M16	201	158	43	24	24	24	25000	379
305625-ESD	LVA-100-24-M20x98-ESD-C	100	M20	141	98	43	24	24	24	25000	372
305641-ESD	LVA-100-24-M20x138-ESD-C	100	M20	181	138	43	24	24	24	25000	451
305661-ESD	LVA-100-24-M20x158-ESD-C	100	M20	201	158	43	24	24	24	25000	490
305681-ESD	LVA-100-24-M20x198-ESD-C	100	M20	241	198	43	24	24	24	25000	573
305725-ESD	LVA-100-24-M24x98-ESD-C	100	M24	141	98	43	24	24	24	25000	470
305761-ESD	LVA-100-24-M24x158-ESD-C	100	M24	201	158	43	24	24	24	25000	642
305781-ESD	LVA-100-24-M24x198-ESD-C	100	M24	241	198	43	24	24	24	25000	760
306521-ESD	LVA-125-24-M16x58-ESD-C	125	M16	125	58	67	46	24	24	28000	386
306525-ESD	LVA-125-24-M16x98-ESD-C	125	M16	165	98	67	46	24	24	28000	437
306541-ESD	LVA-125-24-M16x138-ESD-C	125	M16	205	138	67	46	24	24	28000	487
306561-ESD	LVA-125-24-M16x158-ESD-C	125	M16	225	158	67	46	24	24	28000	514
306625-ESD	LVA-125-24-M20x98-ESD-C	125	M20	165	98	67	46	24	24	28000	507
306641-ESD	LVA-125-24-M20x138-ESD-C	125	M20	205	138	67	46	24	24	28000	586
306661-ESD	LVA-125-24-M20x158-ESD-C	125	M20	225	158	67	46	24	24	28000	625
306681-ESD	LVA-125-24-M20x198-ESD-C	125	M20	265	198	67	46	24	24	28000	708
306725-ESD	LVA-125-24-M24x98-ESD-C	125	M24	165	98	67	46	24	24	28000	605
306761-ESD	LVA-125-24-M24x158-ESD-C	125	M24	225	158	67	46	24	24	28000	777
306781-ESD	LVA-125-24-M24x198-ESD-C	125	M24	265	198	67	46	24	24	28000	895

## LVA-AS-ESD-C

Code	Description	D	d	L	L <sub>1</sub>	l	l <sub>1</sub>	h	s	Articulation Ø	Max. limit stati load* [N]	
307121-ESD	LVA-60-14-AS-M8x43-ESD-C	60	M8	76	79	43	33	24	14	14	14000	81
307125-ESD	LVA-60-14-AS-M8x68-ESD-C	60	M8	101	104	68	33	24	14	14	14000	93
307221-ESD	LVA-60-14-AS-M10x43-ESD-C	60	M10	76	79	43	33	24	14	14	14000	90
307225-ESD	LVA-60-14-AS-M10x68-ESD-C	60	M10	101	104	68	33	24	14	14	14000	102
307231-ESD	LVA-60-14-AS-M10x98-ESD-C	60	M10	131	134	98	33	24	14	14	14000	116
307321-ESD	LVA-60-14-AS-M12x43-ESD-C	60	M12	76	79	43	33	24	14	14	14000	100
307325-ESD	LVA-60-14-AS-M12x68-ESD-C	60	M12	101	104	68	33	24	14	14	14000	117
307331-ESD	LVA-60-14-AS-M12x98-ESD-C	60	M12	131	134	98	33	24	14	14	14000	138
307521-ESD	LVA-60-14-AS-M16x68-ESD-C	60	M16	101	104	68	33	24	16	14	14000	161
307525-ESD	LVA-60-14-AS-M16x108-ESD-C	60	M16	141	144	108	33	24	16	14	14000	213
307541-ESD	LVA-60-14-AS-M16x148-ESD-C	60	M16	181	184	148	33	24	16	14	14000	265
307561-ESD	LVA-60-14-AS-M16x168-ESD-C	60	M16	201	204	168	33	24	16	14	14000	291
307621-ESD	LVA-60-24-AS-M16x58-ESD-C	60	M16	101	104	58	43	24	24	24	18000	224
307625-ESD	LVA-60-24-AS-M16x98-ESD-C	60	M16	141	144	98	43	24	24	24	18000	275
307641-ESD	LVA-60-24-AS-M16x138-ESD-C	60	M16	181	184	138	43	24	24	24	18000	325
307661-ESD	LVA-60-24-AS-M16x158-ESD-C	60	M16	201	204	158	43	24	24	24	18000	352
307725-ESD	LVA-60-24-AS-M20x98-ESD-C	60	M20	141	144	98	43	24	24	24	18000	345
307741-ESD	LVA-60-24-AS-M20x138-ESD-C	60	M20	181	184	138	43	24	24	24	18000	424
307761-ESD	LVA-60-24-AS-M20x158-ESD-C	60	M20	201	204	158	43	24	24	24	18000	463


\* The max static load is the value above which the load applied to the element may cause some plastic material breakage, in particular conditions of use. Obviously, a factor that takes into consideration the importance and the safety level of the specific application must be applied to this value.

## LV.A-AS-ESD-C

Code	Description	D	d	L	L <sub>1</sub>	l	l <sub>1</sub>	h	s	Articulation ∅	Max. limit stati load* [N]	
307121-ESD	LV.A-60-14-AS-M8x43-ESD-C	60	M8	76	79	43	33	24	14	14	14000	81
307125-ESD	LV.A-60-14-AS-M8x68-ESD-C	60	M8	101	104	68	33	24	14	14	14000	93
307221-ESD	LV.A-60-14-AS-M10x43-ESD-C	60	M10	76	79	43	33	24	14	14	14000	90
307225-ESD	LV.A-60-14-AS-M10x68-ESD-C	60	M10	101	104	68	33	24	14	14	14000	102
307231-ESD	LV.A-60-14-AS-M10x98-ESD-C	60	M10	131	134	98	33	24	14	14	14000	116
307321-ESD	LV.A-60-14-AS-M12x43-ESD-C	60	M12	76	79	43	33	24	14	14	14000	100
307325-ESD	LV.A-60-14-AS-M12x68-ESD-C	60	M12	101	104	68	33	24	14	14	14000	117
307331-ESD	LV.A-60-14-AS-M12x98-ESD-C	60	M12	131	134	98	33	24	14	14	14000	138
307521-ESD	LV.A-60-14-AS-M16x68-ESD-C	60	M16	101	104	68	33	24	16	14	14000	161
307525-ESD	LV.A-60-14-AS-M16x108-ESD-C	60	M16	141	144	108	33	24	16	14	14000	213
307541-ESD	LV.A-60-14-AS-M16x148-ESD-C	60	M16	181	184	148	33	24	16	14	14000	265
307561-ESD	LV.A-60-14-AS-M16x168-ESD-C	60	M16	201	204	168	33	24	16	14	14000	291
307621-ESD	LV.A-60-24-AS-M16x58-ESD-C	60	M16	101	104	58	43	24	24	24	18000	224
307625-ESD	LV.A-60-24-AS-M16x98-ESD-C	60	M16	141	144	98	43	24	24	24	18000	275
307641-ESD	LV.A-60-24-AS-M16x138-ESD-C	60	M16	181	184	138	43	24	24	24	18000	325
307661-ESD	LV.A-60-24-AS-M16x158-ESD-C	60	M16	201	204	158	43	24	24	24	18000	352
307725-ESD	LV.A-60-24-AS-M20x98-ESD-C	60	M20	141	144	98	43	24	24	24	18000	345
307741-ESD	LV.A-60-24-AS-M20x138-ESD-C	60	M20	181	184	138	43	24	24	24	18000	424
307761-ESD	LV.A-60-24-AS-M20x158-ESD-C	60	M20	201	204	158	43	24	24	24	18000	463
307781-ESD	LV.A-60-24-AS-M20x198-ESD-C	60	M20	241	244	198	43	24	24	24	18000	546
307825-ESD	LV.A-60-24-AS-M24x98-ESD-C	60	M24	141	144	98	43	24	24	24	18000	443
307861-ESD	LV.A-60-24-AS-M24x158-ESD-C	60	M24	201	204	158	43	24	24	24	18000	615
307881-ESD	LV.A-60-24-AS-M24x198-ESD-C	60	M24	241	244	198	43	24	24	24	18000	733
308005-ESD	LV.A-70-14-AS-M8x43-ESD-C	70	M8	71	74	43	28	19	14	14	14000	80
308011-ESD	LV.A-70-14-AS-M8x68-ESD-C	70	M8	96	99	68	28	19	14	14	14000	92
308021-ESD	LV.A-70-14-AS-M10x43-ESD-C	70	M10	71	74	43	28	19	14	14	14000	89
308025-ESD	LV.A-70-14-AS-M10x68-ESD-C	70	M10	96	99	68	28	19	14	14	14000	101
308031-ESD	LV.A-70-14-AS-M10x98-ESD-C	70	M10	126	129	98	28	19	14	14	14000	115
308061-ESD	LV.A-70-14-AS-M12x43-ESD-C	70	M12	71	74	43	28	19	14	14	14000	99
308065-ESD	LV.A-70-14-AS-M12x68-ESD-C	70	M12	96	99	68	28	19	14	14	14000	116
308071-ESD	LV.A-70-14-AS-M12x98-ESD-C	70	M12	126	129	98	28	19	14	14	14000	137
308101-ESD	LV.A-70-14-AS-M16x68-ESD-C	70	M16	96	99	68	28	19	16	14	14000	160
308105-ESD	LV.A-70-14-AS-M16x108-ESD-C	70	M16	136	139	108	28	19	16	14	14000	212
308111-ESD	LV.A-70-14-AS-M16x148-ESD-C	70	M16	176	179	148	28	19	16	14	14000	264
308115-ESD	LV.A-70-14-AS-M16x168-ESD-C	70	M16	196	199	168	28	19	16	14	14000	290
308121-ESD	LV.A-80-14-AS-M8x43-ESD-C	80	M8	76	79	43	33	24	14	14	16000	109

\* The max static load is the value above which the load applied to the element may cause some plastic material breakage, in particular conditions of use. Obviously, a factor that takes into consideration the importance and the safety level of the specific application must be applied to this value.

**LV.A-AS-ESD-C**

Code	Description	D	d	L	L <sub>1</sub>	l	l <sub>1</sub>	h	s	Articulation ∅	Max. limit stati load* [N]	
308125-ESD	LV.A-80-14-AS-M8x68-ESD-C	80	M8	101	104	68	33	24	14	14	16000	121
308221-ESD	LV.A-80-14-AS-M10x43-ESD-C	80	M10	76	79	43	33	24	14	14	16000	118
308225-ESD	LV.A-80-14-AS-M10x68-ESD-C	80	M10	101	104	68	33	24	14	14	16000	130
308231-ESD	LV.A-80-14-AS-M10x98-ESD-C	80	M10	131	134	98	33	24	14	14	16000	144
308321-ESD	LV.A-80-14-AS-M12x43-ESD-C	80	M12	76	79	43	33	24	14	14	16000	128
308325-ESD	LV.A-80-14-AS-M12x68-ESD-C	80	M12	101	104	68	33	24	14	14	16000	145
308331-ESD	LV.A-80-14-AS-M12x98-ESD-C	80	M12	131	134	98	33	24	14	14	16000	166
308521-ESD	LV.A-80-14-AS-M16x68-ESD-C	80	M16	101	104	68	33	24	16	14	16000	189
308525-ESD	LV.A-80-14-AS-M16x108-ESD-C	80	M16	141	144	108	33	24	16	14	16000	241
308541-ESD	LV.A-80-14-AS-M16x148-ESD-C	80	M16	181	184	148	33	24	16	14	16000	293
308561-ESD	LV.A-80-14-AS-M16x168-ESD-C	80	M16	201	204	168	33	24	16	14	16000	319
308621-ESD	LV.A-80-24-AS-M16x58-ESD-C	80	M16	101	104	58	43	24	24	24	18000	251
308625-ESD	LV.A-80-24-AS-M16x98-ESD-C	80	M16	141	144	98	43	24	24	24	18000	302
308641-ESD	LV.A-80-24-AS-M16x138-ESD-C	80	M16	181	184	138	43	24	24	24	18000	352
308661-ESD	LV.A-80-24-AS-M16x158-ESD-C	80	M16	201	204	158	43	24	24	24	18000	379
308725-ESD	LV.A-80-24-AS-M20x98-ESD-C	80	M20	141	144	98	43	24	24	24	18000	372
308741-ESD	LV.A-80-24-AS-M20x138-ESD-C	80	M20	181	184	138	43	24	24	24	18000	451
308761-ESD	LV.A-80-24-AS-M20x158-ESD-C	80	M20	201	204	158	43	24	24	24	18000	490
308781-ESD	LV.A-80-24-AS-M20x198-ESD-C	80	M20	241	244	198	43	24	24	24	18000	573
308825-ESD	LV.A-80-24-AS-M24x98-ESD-C	80	M24	141	144	98	43	24	24	24	18000	470
308861-ESD	LV.A-80-24-AS-M24x158-ESD-C	80	M24	201	204	158	43	24	24	24	18000	642
308881-ESD	LV.A-80-24-AS-M24x198-ESD-C	80	M24	241	244	198	43	24	24	24	18000	760
309451-ESD	LV.A-100-14-AS-M8x43-ESD-C	100	M8	76	79	43	33	24	14	14	18000	146
309453-ESD	LV.A-100-14-AS-M8x68-ESD-C	100	M8	101	104	68	33	24	14	14	18000	158
309461-ESD	LV.A-100-14-AS-M10x43-ESD-C	100	M10	76	79	43	33	24	14	14	18000	155
309463-ESD	LV.A-100-14-AS-M10x68-ESD-C	100	M10	101	104	68	33	24	14	14	18000	167
309465-ESD	LV.A-100-14-AS-M10x98-ESD-C	100	M10	131	134	98	33	24	14	14	18000	181
309471-ESD	LV.A-100-14-AS-M12x43-ESD-C	100	M12	76	79	43	33	24	14	14	18000	165
309473-ESD	LV.A-100-14-AS-M12x68-ESD-C	100	M12	101	104	68	33	24	14	14	18000	182
309475-ESD	LV.A-100-14-AS-M12x98-ESD-C	100	M12	131	134	98	33	24	14	14	18000	203
309481-ESD	LV.A-100-14-AS-M16x68-ESD-C	100	M16	101	104	68	33	24	16	14	18000	226
309483-ESD	LV.A-100-14-AS-M16x108-ESD-C	100	M16	141	144	108	33	24	16	14	18000	278
309485-ESD	LV.A-100-14-AS-M16x148-ESD-C	100	M16	181	184	148	33	24	16	14	18000	330
309487-ESD	LV.A-100-14-AS-M16x168-ESD-C	100	M16	201	204	168	33	24	16	14	18000	356
309521-ESD	LV.A-100-24-AS-M16x58-ESD-C	100	M16	101	104	58	43	24	24	24	25000	305
309525-ESD	LV.A-100-24-AS-M16x98-ESD-C	100	M16	141	144	98	43	24	24	24	25000	356
309541-ESD	LV.A-100-24-AS-M16x138-ESD-C	100	M16	181	184	138	43	24	24	24	25000	406
309561-ESD	LV.A-100-24-AS-M16x158-ESD-C	100	M16	201	204	158	43	24	24	24	25000	433
309625-ESD	LV.A-100-24-AS-M20x98-ESD-C	100	M20	141	144	98	43	24	24	24	25000	426
309641-ESD	LV.A-100-24-AS-M20x138-ESD-C	100	M20	181	184	138	43	24	24	24	25000	505
309661-ESD	LV.A-100-24-AS-M20x158-ESD-C	100	M20	201	204	158	43	24	24	24	25000	544
309681-ESD	LV.A-100-24-AS-M20x198-ESD-C	100	M20	241	244	198	43	24	24	24	25000	627
309725-ESD	LV.A-100-24-AS-M24x98-ESD-C	100	M24	141	144	98	43	24	24	24	25000	524
309761-ESD	LV.A-100-24-AS-M24x158-ESD-C	100	M24	201	204	158	43	24	24	24	25000	696
309781-ESD	LV.A-100-24-AS-M24x198-ESD-C	100	M24	241	244	198	43	24	24	24	25000	814
310221-ESD	LV.A-125-24-AS-M16x58-ESD-C	125	M16	125	128	58	67	46	24	24	28000	512
310225-ESD	LV.A-125-24-AS-M16x98-ESD-C	125	M16	165	168	98	67	46	24	24	28000	563
310241-ESD	LV.A-125-24-AS-M16x138-ESD-C	125	M16	205	208	138	67	46	24	24	28000	613
310261-ESD	LV.A-125-24-AS-M16x158-ESD-C	125	M16	225	228	158	67	46	24	24	28000	640
310325-ESD	LV.A-125-24-AS-M20x98-ESD-C	125	M20	165	168	98	67	46	24	24	28000	633
310341-ESD	LV.A-125-24-AS-M20x138-ESD-C	125	M20	205	208	138	67	46	24	24	28000	712
310361-ESD	LV.A-125-24-AS-M20x158-ESD-C	125	M20	225	228	158	67	46	24	24	28000	751
310381-ESD	LV.A-125-24-AS-M20x198-ESD-C	125	M20	265	268	198	67	46	24	24	28000	834
310425-ESD	LV.A-125-24-AS-M24x98-ESD-C	125	M24	165	168	98	67	46	24	24	28000	731
310461-ESD	LV.A-125-24-AS-M24x158-ESD-C	125	M24	225	228	158	67	46	24	24	28000	903
310481-ESD	LV.A-125-24-AS-M24x198-ESD-C	125	M24	265	268	198	67	46	24	24	28000	1021

\* The max static load is the value above which the load applied to the element may cause some plastic material breakage, in particular conditions of use. Obviously, a factor that takes into consideration the importance and the safety level of the specific application must be applied to this value.